

# 700TVL Vari-Focal Dome Camera

## SPD-335NC2



### Image



### Key Features

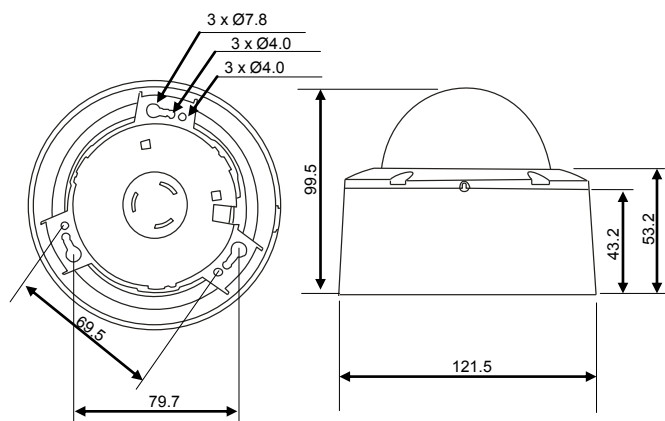
- 1/3 Inch 960H CCD
- Horizontal Resolution 700TV Lines
- Min. Illumination 0.0006 Lux @ F1.2 ( Color , Sense up 512x ) , 0Lux ( IR ON)
- Digital WDR
- Coaxitron Control (Pelco-C)
- 2D/3D DNR (Digital Noise Reduction)
- True Day & Night ( Option)
- 24 EA IR LED , 20M ( Option)
- 3-Axis Gimbal Bracket
- f 2.8~12mm Varifocal Lens

### Ordering Number

- SPD-335NC2-VT1 : NTSC, TDN, 24 ea IR LED
- SPD-335PC2-VT1 : PAL, TDN, 24 ea IR LED
- SPD-335NC2-V : NTSC, Non-TDN, No IR LED
- SPD-335PC2-V : PAL , Non-TDN, No IR LED

### Dimensions

Unit : mm



### Technical Specifications

Model	SPD-335NC2	SPD-335PC2
<b>VIDEO</b>		
Imaging Device	1/3" 960H CCD Image Sensor	
Signal System	NTSC	PAL
Total Pixels	1020(H) x 508(V)	1020(H) x 596(V)
Effective Pixels Number	976(H) x 494(V)	976(H) x 582(V)
Scanning System	2:1 Interlace	
Sync System	Internal	
Scanning Frequency	15.734KHz(H)/59.94Hz(V)	15.625KHz(H)/50Hz(V)
Horizontal Resolution	700TV Lines	
Min. Illumination	0.0006 Lux @ F1.2( Sense up 512x,) 0Lux( IR ON)	
S/N Ratio	More than 50dB (AGC OFF)	
Video output	CVBS : 1.0Vp-p / 75Ω Composite	
<b>Vari-Focal Lens</b>		
Mount Type	Board (Φ14)	
Lens Type	DC Auto IRIS	
Focal length	Vari-Focal 2.8mm ~ 12mm	
Angular Field of View	H=93°~28.7°	
Max. Aperture Ratio	F1.4	
<b>OPERATIONAL( Internal Switch or Coaxitron Control)</b>		
OSD Language	English, Chinese, Simplified Chinese	
Electronic Shutter Speed	1/60~1/120,000	1/50~1/120,000
Flickerless	1/100sec	1/120sec
Brightness	0~20	
AGC	OFF/ON ( 0~ 20 )	
DWDR	OFF/Manual/Auto	
White Balance	ATW/Push/MANUAL	
BLC	OFF/ON	
Day & Night	Day/Night/Auto/EXT/CDS	
Motion	OFF/ON(4 Area)	
Privacy	OFF/ON(8 Area)	
Defog	OFF/Manual/Auto	
Camera Title	OFF/ON	
Camera ID	0 ~ 255	
Protocol	Coaxitron( Pelco C )	
BAUD RATE	2400, 4800, 9600, 19200, 38400, 57600	
Lens Shading	OFF/ON(0~20)	
DNR	OFF/Low/Middle/High	
MIRROR	OFF/ON	
Display	Disp Sel/Set Title/Language/Setup status	
Display Sel.	ID/TITLE	
Sharpness	0 ~ 20	
High Light Compensation	OFF/ON	
Gamma	0.35~0.65	
<b>ENVIRONMENTAL</b>		
Operating Temperature	-10℃ ~ +50℃	
Operating Humidity	Less than 80% RH( Non-condensing)	
<b>ELECTRICAL</b>		
Input Voltage	DC12V ±10%	
Power Consumption	Max. 4.0W ( IR LED ON)	
<b>MECHANICAL</b>		
Color	Ivory	
Material	ABS	
Dimensions	121 x 80mm ( Ø )	
Weight	Approx. 300g	

All specifications are subject to change without notice